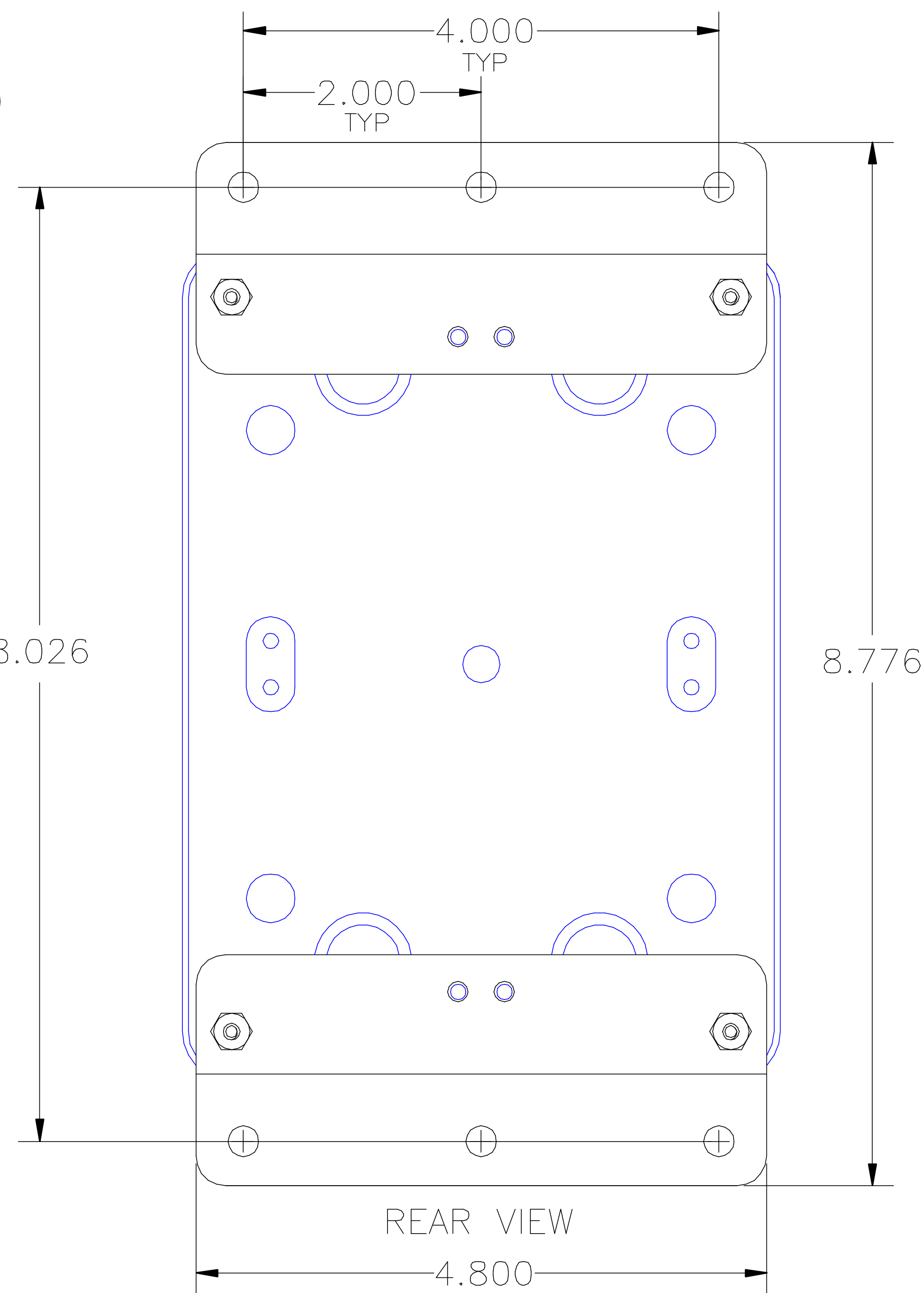
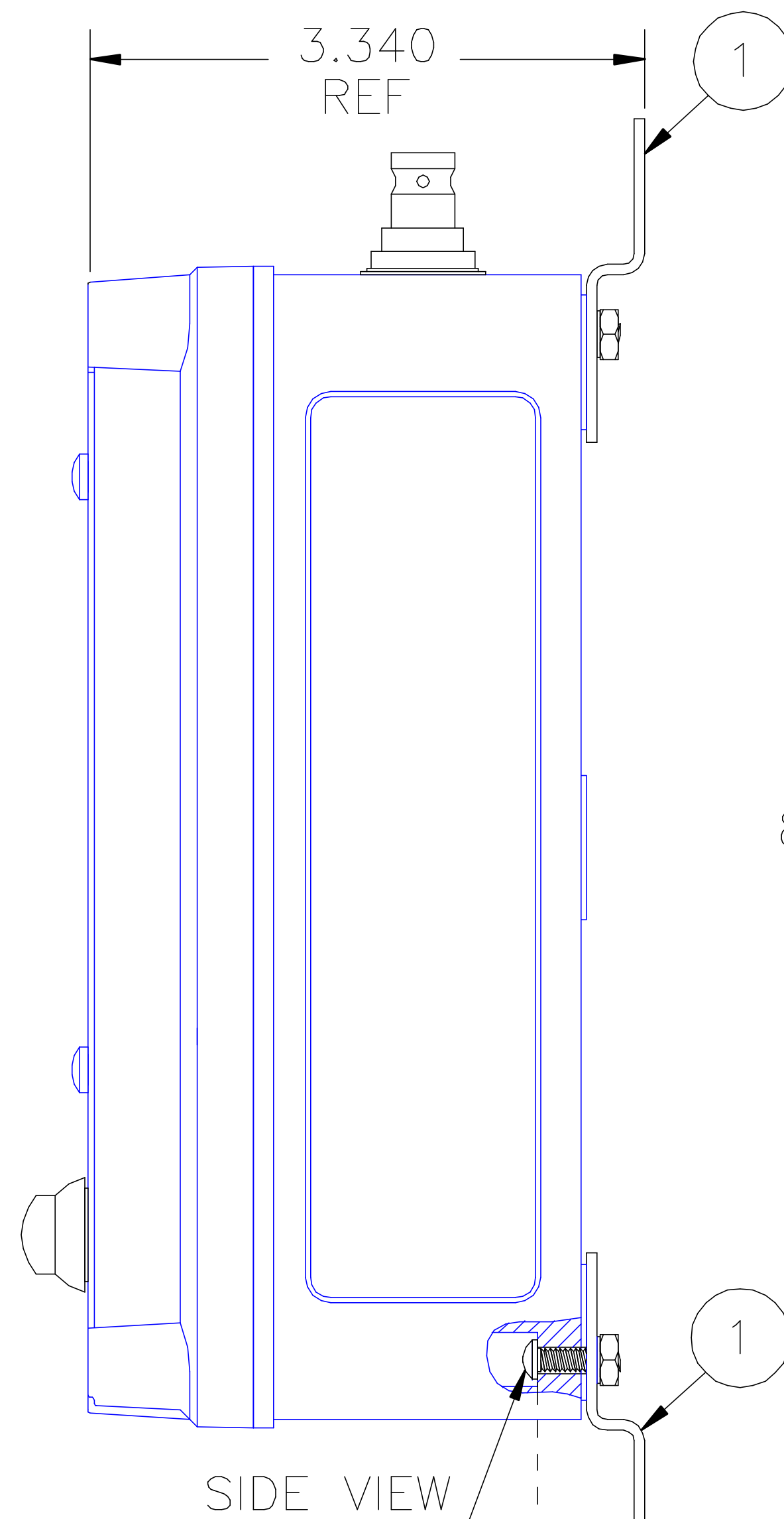
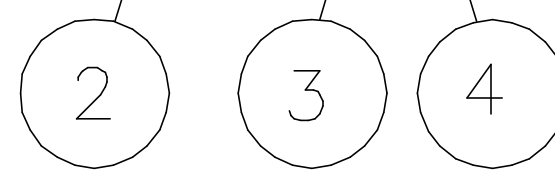


FRONT VIEW



INSERT THE SCREWS ② INTO THE 4 HOLES IN THE CORNERS OF THE BOTTOM CASE.  
THE CASE TOP MUST BE REMOVED TO OBTAIN ACCESS TO THE HOLES.



- ① MOUNTING BRACKET QTY 2
- ② SEAL SCREW, 6-32 X 1/2 LONG, QTY 4  
PHILLIPS DRIVE
- ③ #6 LOCK WASHER  
QTY 4
- ④ 6-32 HEX NUT  
QTY 4

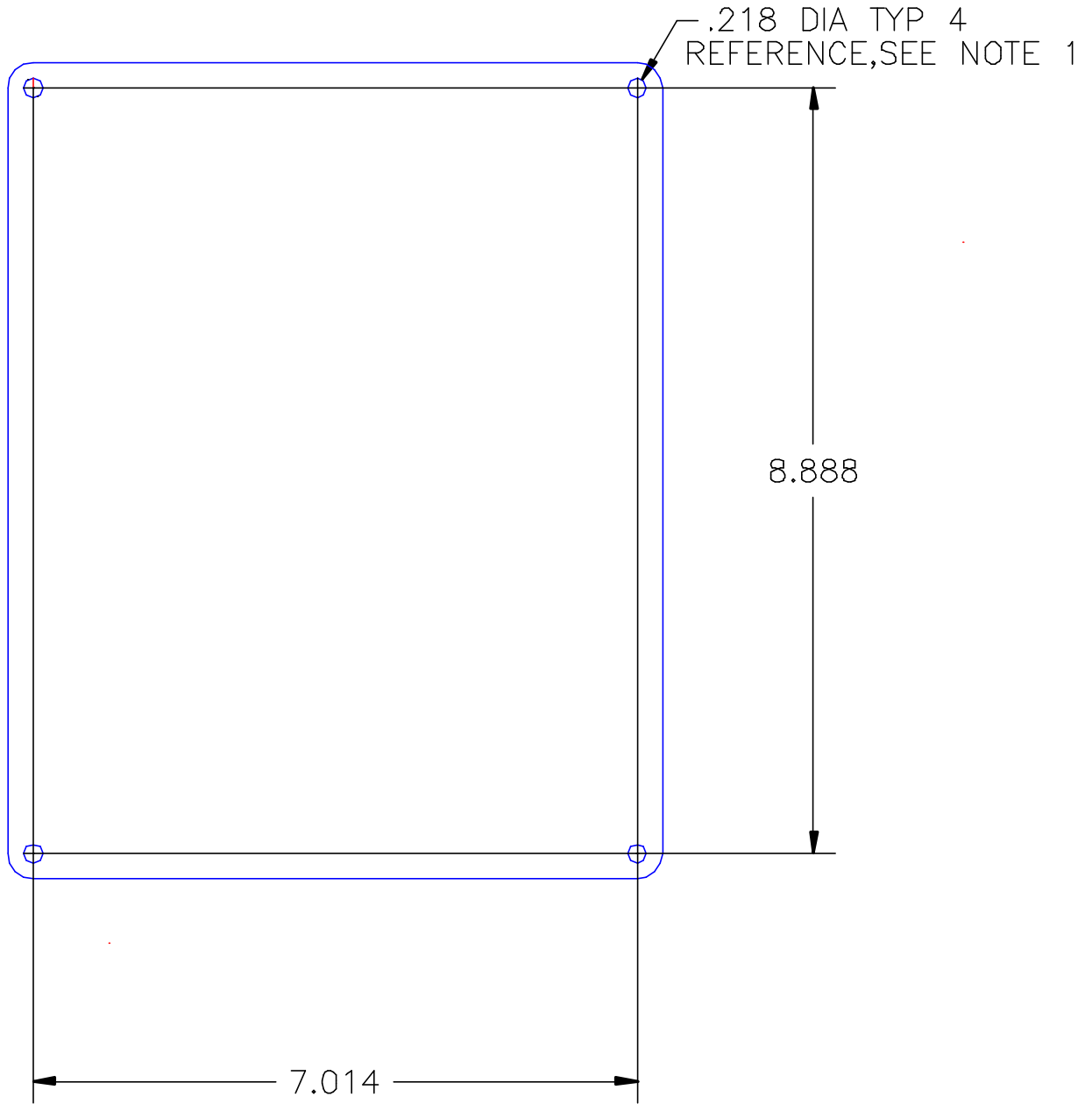


CONFIDENTIAL INFORMATION

THIS INFORMATION IS CONFIDENTIAL AND PROPRIETARY TO RITRON INC.  
IT IS NOT TO BE USED OR DEVULGED TO THE DETRIMENT OF RITRON INC.  
DEVULGEMENT OF THIS INFORMATION IN ANY FORM MUST BE APPROVED  
BY THE PRIOR WRITTEN PERMISSION OF RITRON INC.

REV. A	UNLESS OTHERWISE SPECIFIED DIMENSIONS ARE IN INCHES	APPROVALS	DATE
ECN	TOLERANCES ARE: (EXCEPT AS NOTED) FRACTIONS	DRAWN <b>G.KING</b>	05/12/11
RELEASED FOR REF. 5/12/11	DECIMALS	CHECKED	
DATE	ANGLES	ISSUED	
		MATERIAL	
		FINISH	
		DO NOT SCALE DRAWING	

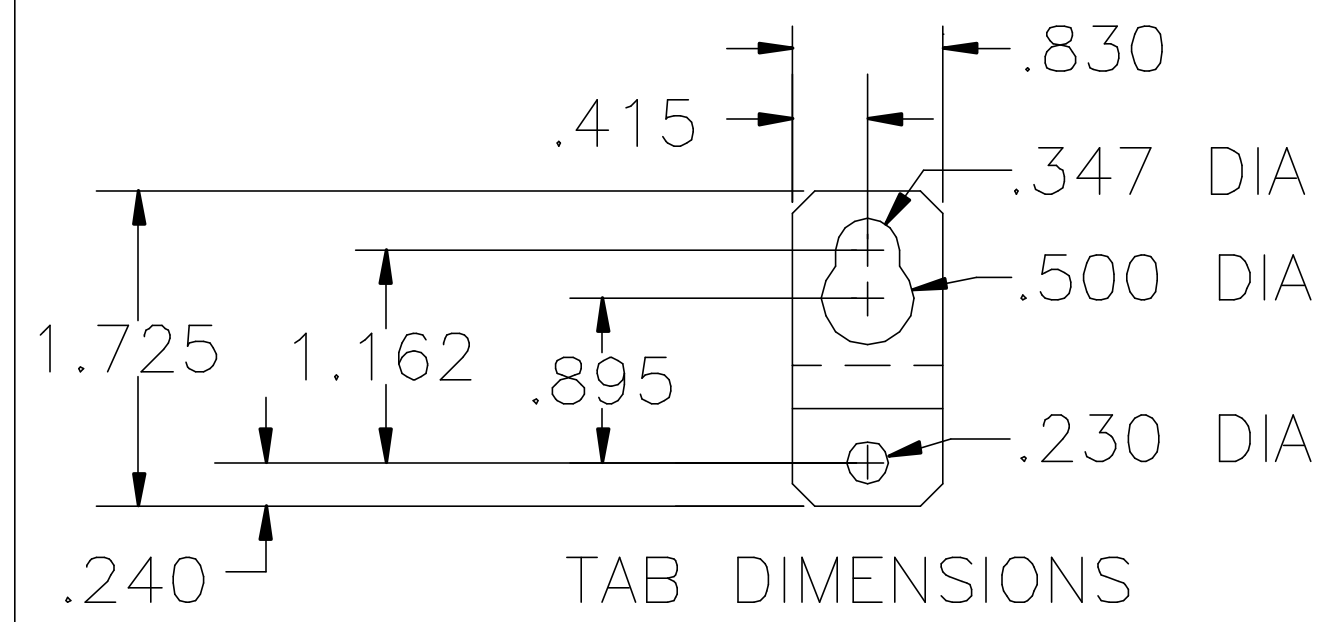
REFERENCE ONLY			
RITRON INC. 505 W. CARMEL DR., CARMEL, IN 46032			
RK-RQX-MB MOUNTING DIAGRAM			
SIZE C	USED ON	DWG NO. RK-RQX-MB	REV. A
EXCEPT AS NOTED		FILE	RK-RQX-MB.dwg
SCALE	4:1		



**NOTE**

1-THE MOUNTING HOLE DIA REQUIRED TO MOUNT THE CALLBOX, DEPENDS ON THE ACCURACY OF THE MOUNTING HOLE LOCATIONS. IF THE HOLE DIAMETERS GET TO BIG TO PROVIDE ADEQUATE MATERIAL FOR THE FASTENER HEAD TO CLAMP AGAINST, THEN A LARGER DIAMETER FLAT WASHER SHOULD BE USED TO CLAMP THE CALLBOX AGAINST THE MOUNTING SURFACE. THE MOUNTING HOLES ARE CLEARANCE HOLES FOR #10-32 SCREWS. THE MAXIMUM SCREW INSERTION DEPTH INTO THE CASE IS 5/16"

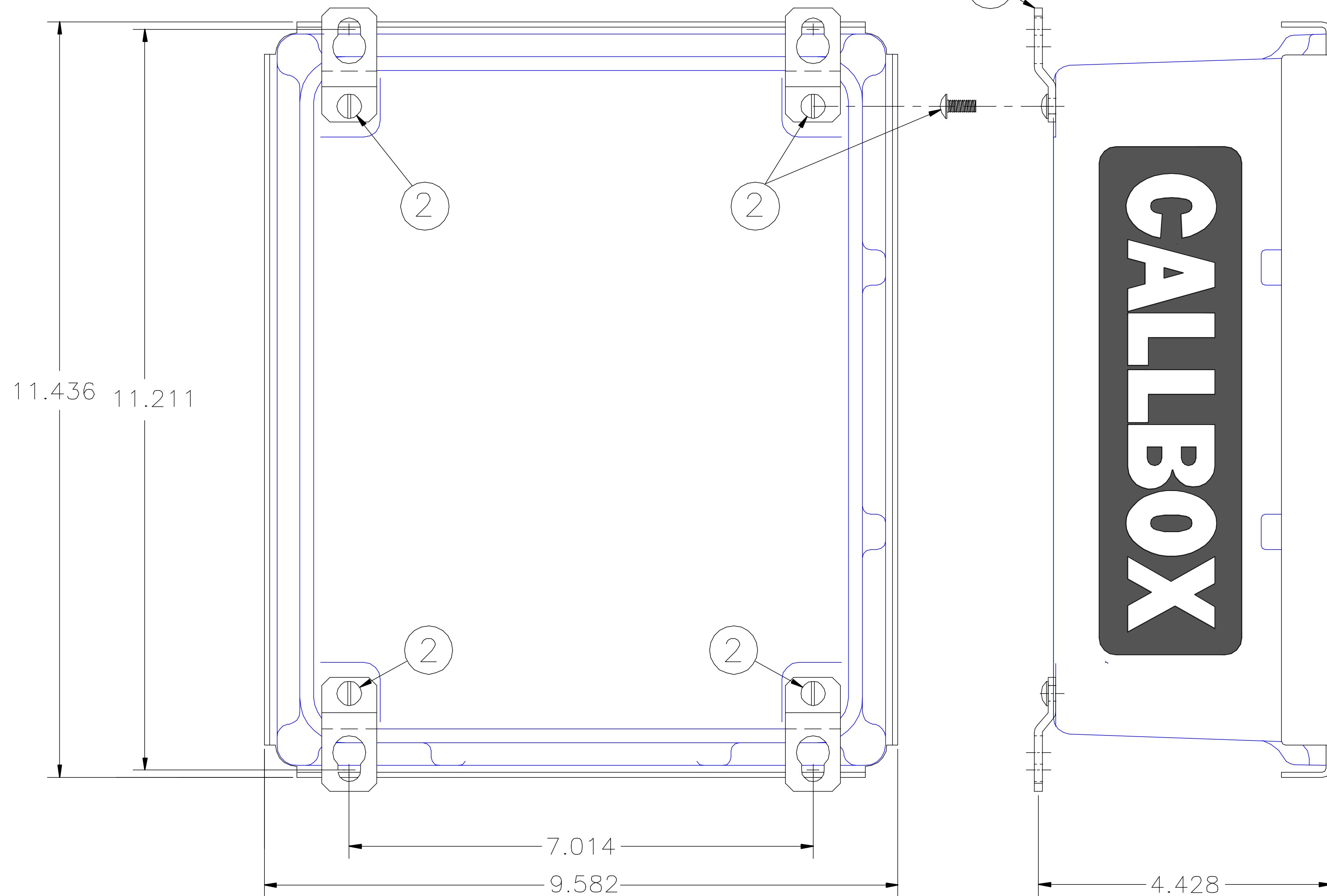
B	A	REV	UNLESS OTHERWISE SPECIFIED DIMENSIONS ARE IN INCHES	APPROVALS	DATE	RITRON INC.			
		REL		DRAWN	6. KING	8/25/00	505 W. CARMEL DR., CARMEL, IN 46032		
B	A	EDN	TOLERANCES ARE: (EXCEPT AS NOTED) FRACTIONS	CHECKED		CALLBOX-XT MOUNTING HOLE PATTERN			
		DATE	DECIMALS	ISSUED		SIZE	USED ON	DWG. NO.	REV.
			± .010	MATERIAL	SEE NOTE	D		REFERENCE DWG	B
			ANGLES	FINISH	SEE NOTE	SCALE	FILE NO.	CALLBOX-XT Mounting hole pattern	SHEET 1 OF 1
				DO NOT SCALE DRAWING		1:1			



REAR VIEW

LEFT VIEW

FRONT VIEW



FOR REFERENCE ONLY

- ① RQX-XT MOUNTING TAB  
QUANTITY FOUR PER ASSEMBLY
- ② #10-32 X .437 LONG  
SLOTTED PAN HEAD SCREW  
QUANTITY FOUR PER ASSEMBLY

CONFIDENTIAL INFORMATION

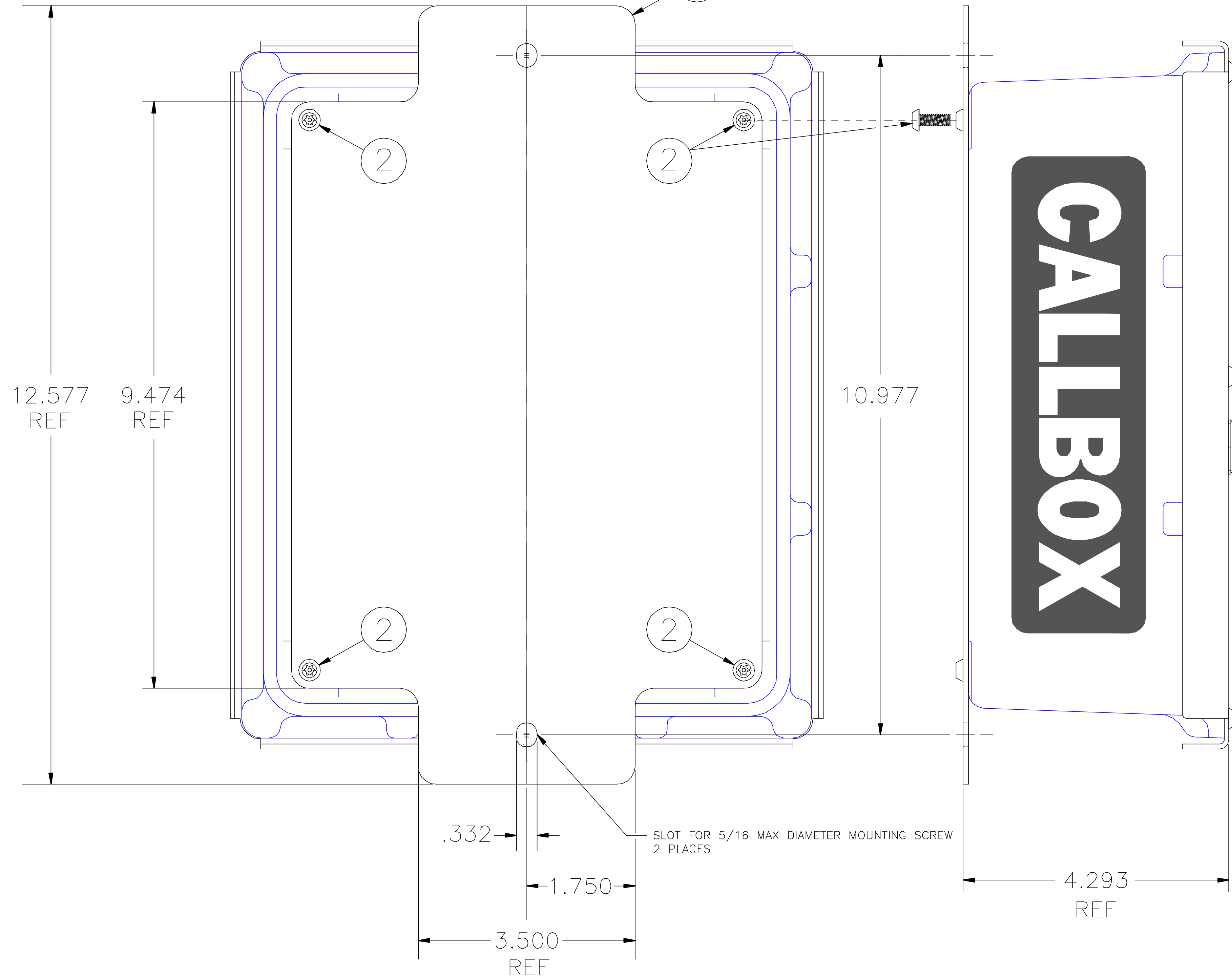
THIS INFORMATION IS CONFIDENTIAL AND PROPRIETARY TO RITRON INC. IT IS NOT TO BE USED OR DEVULGED TO THE DETRIMENT OF RITRON INC. DEVULGEMENT OF THIS INFORMATION IN ANY FORM MUST BE APPROVED BY THE PRIOR WRITTEN PERMISSION OF RITRON INC.

REV. A	UNLESS OTHERWISE SPECIFIED DIMENSIONS ARE IN INCHES	APPROVALS	DATE	RITRON INC. 505 W. CARMEL DR., CARMEL, IN 46032	
	TOLERANCES ARE: (EXCEPT AS NOTED) FRACTIONS	DRAWN <b>G.KING</b>	5/6/11	XT MOUNTING TABS INSTALLED	
RELEASED FOR REF.	DECIMALS	CHECKED	ISSUED	MATERIAL	SIZE D
DATE	ANGLES	FINISH	DO NOT SCALE DRAWING	SCALE X:X	FILE NO. XT MOUNTING TABS INSTALLED.DWG

REAR VIEW

LEFT VIEW

FRONT VIEW



① RQX-XTMK MOUNTING PLATE

② #10-32 X .500 LONG SECURITY HEAD T-25 TORX SCREW QUANTITY FOUR PER ASSEMBLY

FOR REFERENCE ONLY

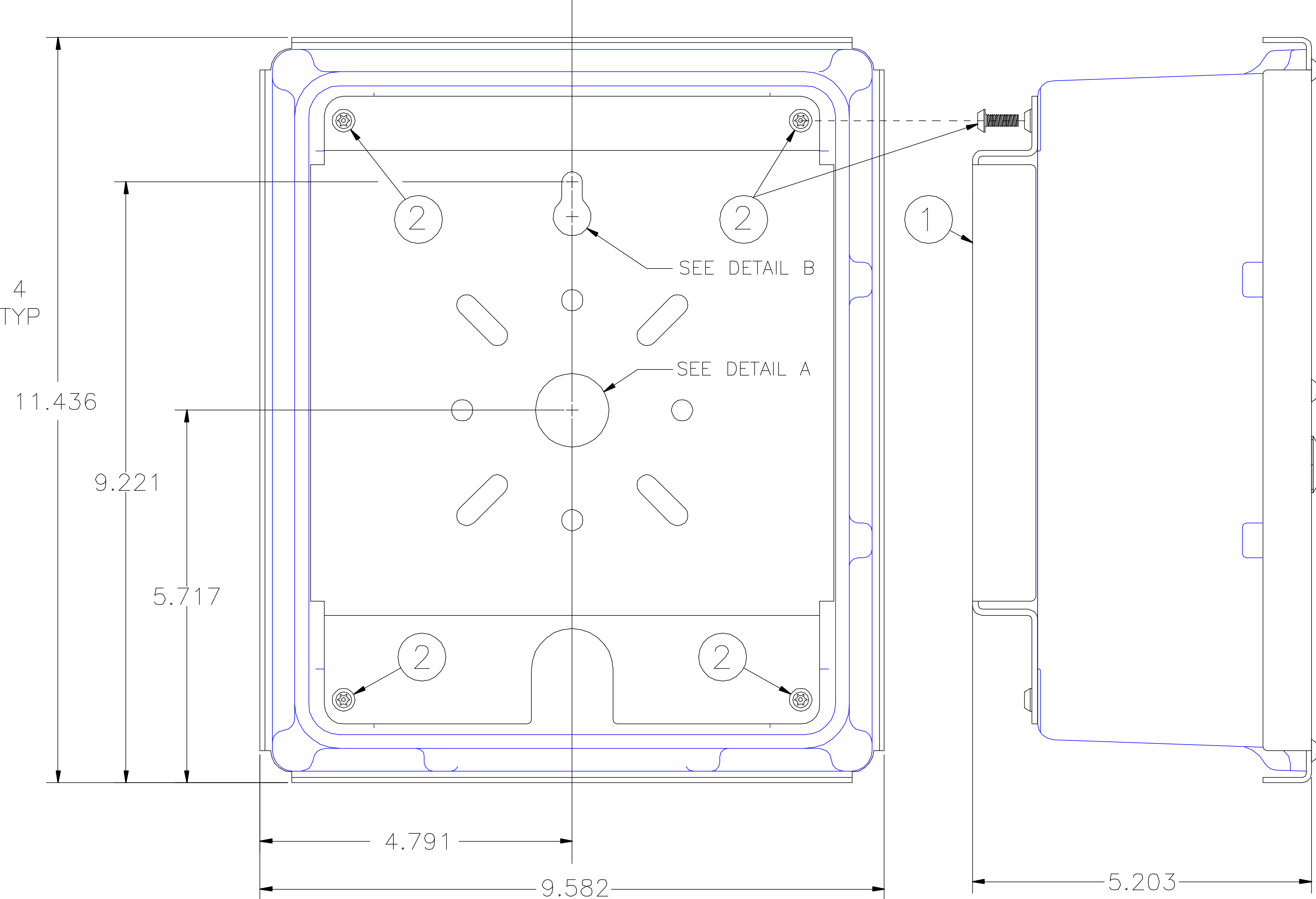
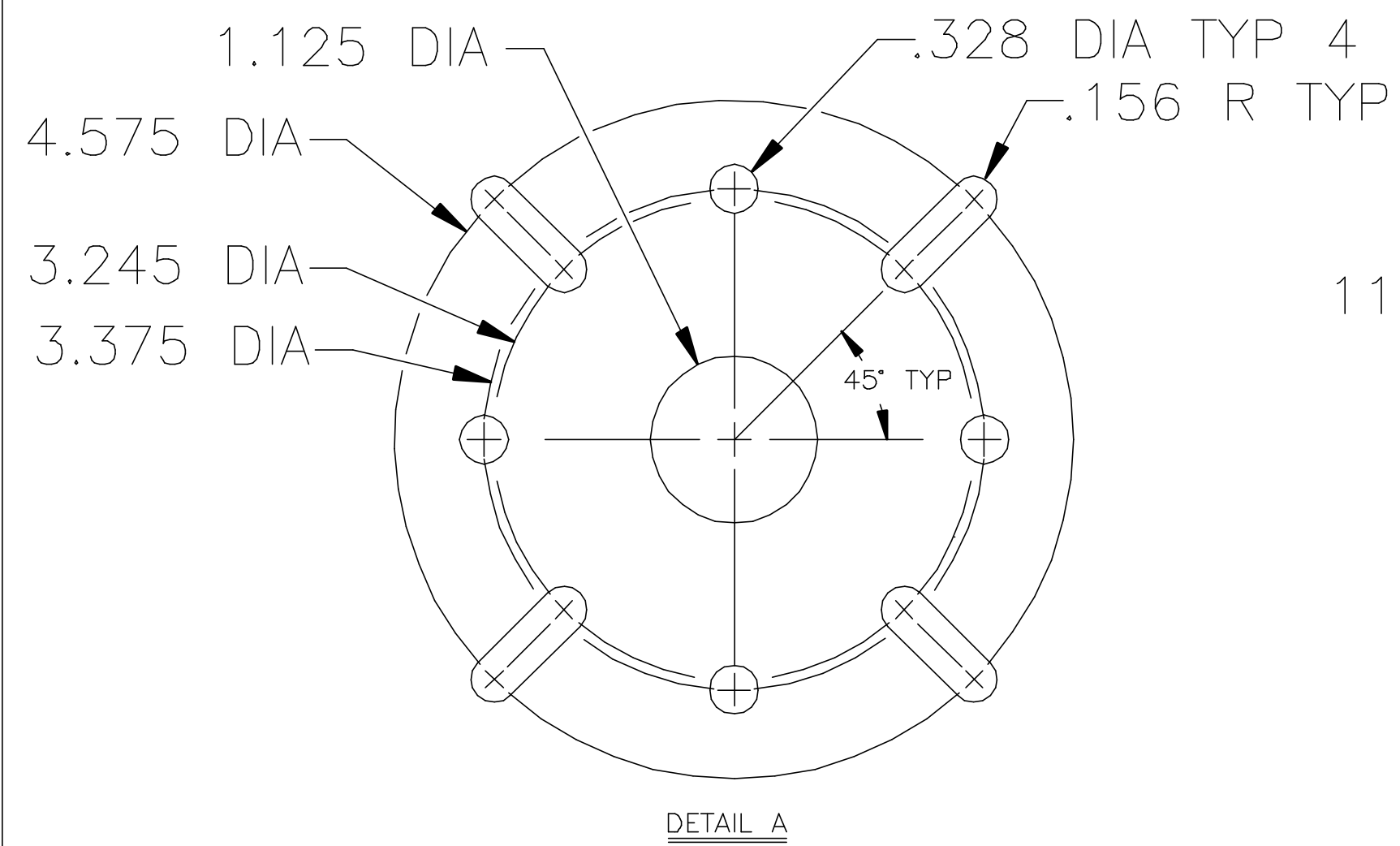
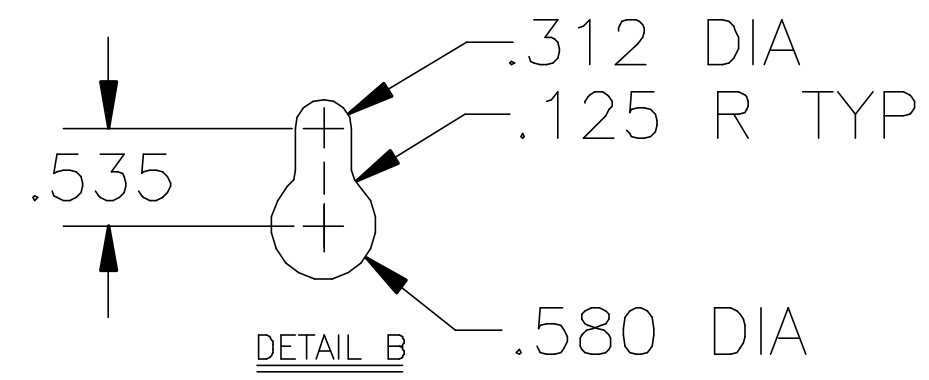
CONFIDENTIAL INFORMATION

THIS INFORMATION IS CONFIDENTIAL AND PROPRIETARY TO RITRON INC. IT IS NOT TO BE USED OR DEVULGED TO THE DETRIMENT OF RITRON INC. DEVULGEMENT OF THIS INFORMATION IN ANY FORM MUST BE APPROVED BY THE PRIOR WRITTEN PERMISSION OF RITRON INC.

A	REV	UNLESS OTHERWISE SPECIFIED DIMENSIONS ARE IN INCHES	APPROVALS	DATE	RITRON INC. 505 W. CARMEL DR., CARMEL, IN 46032			
	1		DRAWN	5/6/11	RQX-XTMK			
A	EDN	TOLERANCES ARE: (EXCEPT AS NOTED) FRACTIONS	CHECKED		XT FLUSH MOUNT PLATE MOUNTING			
	1	DECIMALS	ISSUED		SIZE	USED ON	DWG NO.	REV.
	DATE	ANGLES	MATERIAL		D		RQX-XTMK	A
			FINISH		SCALE	X:X	FILE NO.	RQX-XTMK.DWG
			DO NOT SCALE DRAWING					SHEET 1 OF 1

# REAR VIEW

# LEFT VIEW



CONFIDENTIAL INFORMATION

THIS INFORMATION IS CONFIDENTIAL AND PROPRIETARY TO RITRON INC. IT IS NOT TO BE USED OR DEVULGED TO THE DETRIMENT OF RITRON INC. DEVULGEMENT OF THIS INFORMATION IN ANY FORM MUST BE APPROVED BY THE PRIOR WRITTEN PERMISSION OF RITRON INC.

① RQX-XTMK-GN MOUNTING PLATE

② #10-32 X .500 LONG SECURITY HEAD T-25 TORX SCREW QUANTITY FOUR PER ASSEMBLY

FOR REFERENCE ONLY

REV	A	RELEASED FOR REF	DATE	UNLESS OTHERWISE SPECIFIED DIMENSIONS ARE IN INCHES	APPROVALS	DATE	RITRON INC. 505 W. CARMEL DR., CARMEL, IN 46032			
				TOLERANCES ARE: (EXCEPT AS NOTED) FRACTIONS	DRAWN <b>G.KING</b>	5/6/11	RQX-XTMK-GN XT GOOSE NECK PLATE MOUNTING			
DATE	5/6/11	DATE	DATE	DECIMALS	CHECKED		SIZE	USED ON	DWG NO.	REV.
				ANGLES	ISSUED		D		RQX-XTMK-GN	A
				DO NOT SCALE DRAWING	SCALE		X:X	FILE NO. RQX-XTMK-GN.DWG	SHEET 1 OF 1	