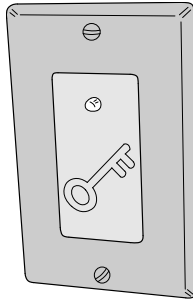


AM-RPR

Remote Proximity Receiver

Installation Instructions



Linear
Building On Innovation.

USA & Canada (800) 421-1587 & (800) 392-0123
(760) 438-7000 - Toll Free FAX (800) 468-1340
www.linearcorp.com

INTRODUCTION

The AM-RPR remote proximity receiver is designed for use with Linear's AE1000Plus, AE2000Plus, and AM3Plus access control systems. The AM-RPR functions as a remote PBUS device that supplies localized radio reception for the controller.

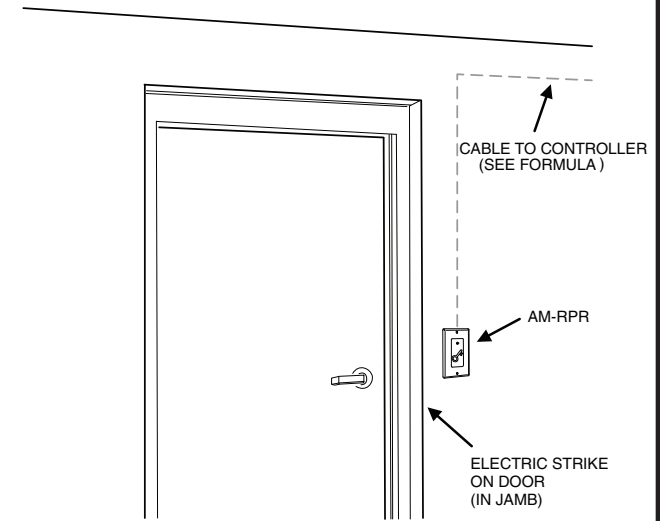
In a typical installation, the AM-RPR would be mounted in a plastic single-gang electrical box next to the controlled opening. When the user requires access, their transmitter must be activated within three inches of the AM-RPR faceplate. The ultra-short range of the AM-RPR allows placement of a unit by each controlled opening without the possibility of the transmitter being detected by the wrong receiver.

A two-color indicator on the AM-RPR faceplate displays the receiver's status. The indicator lights red when the receiver is getting DC power from the controller and turns green when access is granted to a transmitter.

The AM-RPR remote proximity receiver connects to the controller through a six-wire cable. A small ferrite 'doughnut' is supplied for the wiring to reduce radio reception in the wires. A rotary switch in the AM-RPR selects the PBUS device address for the receiver. Each remote device connected to the controller must be set to a different device address. Power is supplied to the receiver from the controller.

A special test mode can be selected to test the radio reception. When the unit is powered and the device address selector is set to 7, activating a transmitter in range of the receiver causes the test beeper to sound and the indicator to blink.

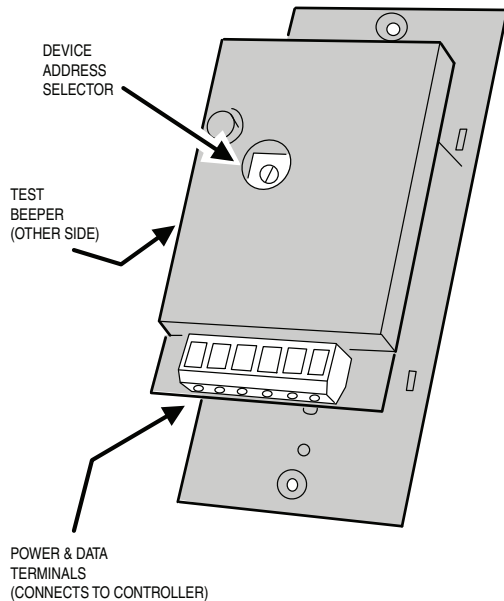
1. TYPICAL INSTALLATION



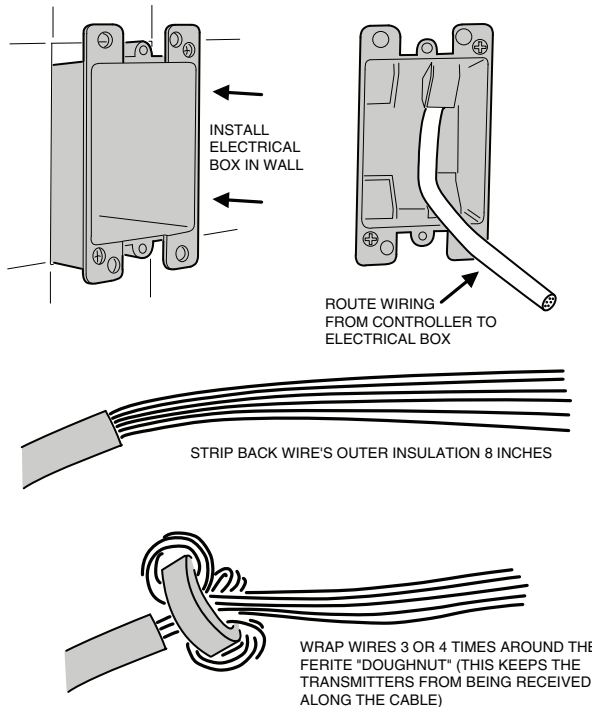
EACH AM-RPR EQUALS 4 LOAD UNITS
CABLE LENGTH FORMULA FOR EACH AM-RPR USED IN SYSTEM

CABLE RUN	CABLE TYPE	FORMULA
300 FEET MAXIMUM	BELDEN 9931 (24 AWG)	FEET x LOAD UNITS < 3,000 MAXIMUM
500 FEET MAXIMUM	WEICO 9405 (20 AWG)	FEET x LOAD UNITS < 10,000 MAXIMUM

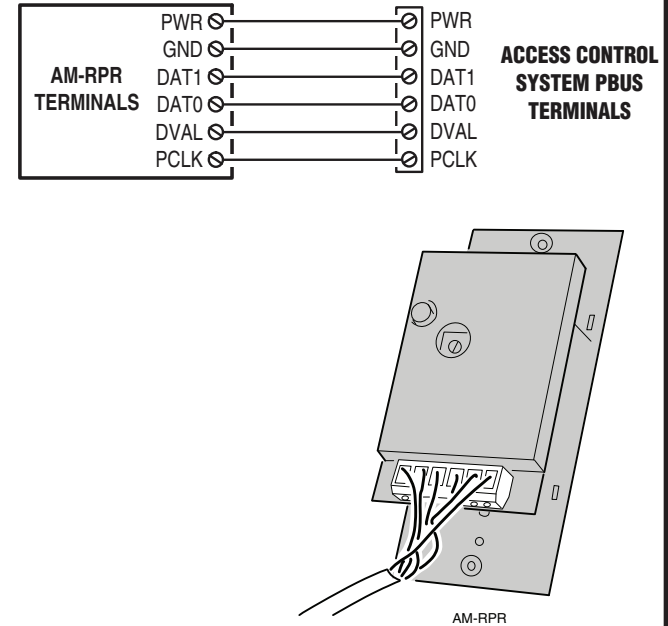
2. LOCATE COMPONENTS



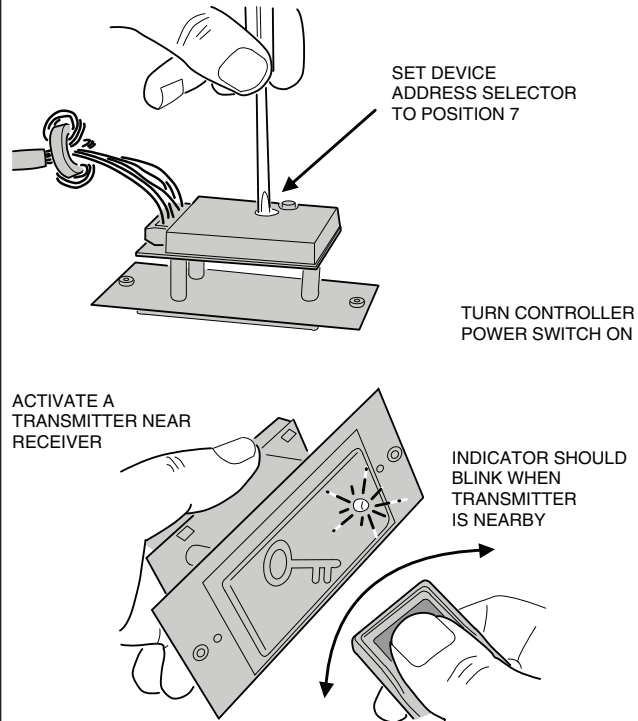
3. INSTALL SWITCH BOX & ROUTE WIRING



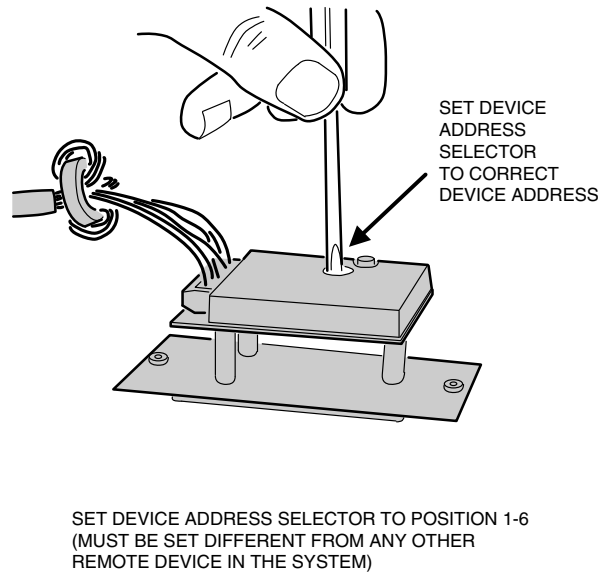
4. CONNECT AM-RPR TO CONTROLLER



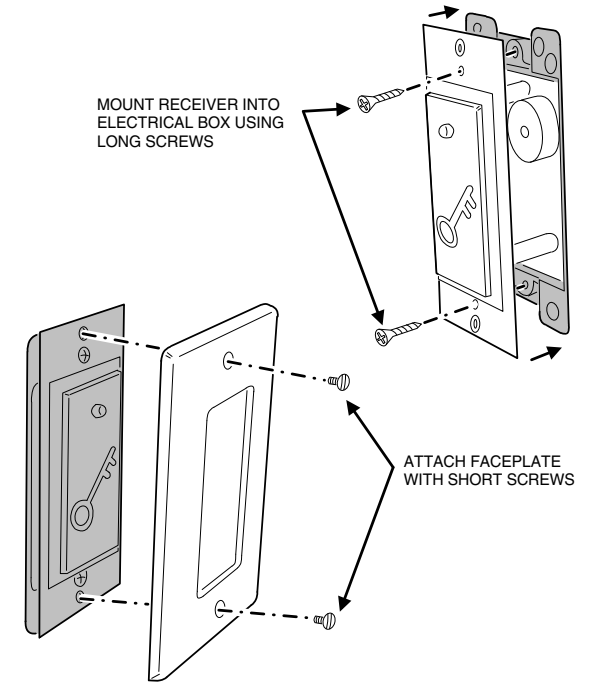
5. PRELIMINARY RECEIVER TEST



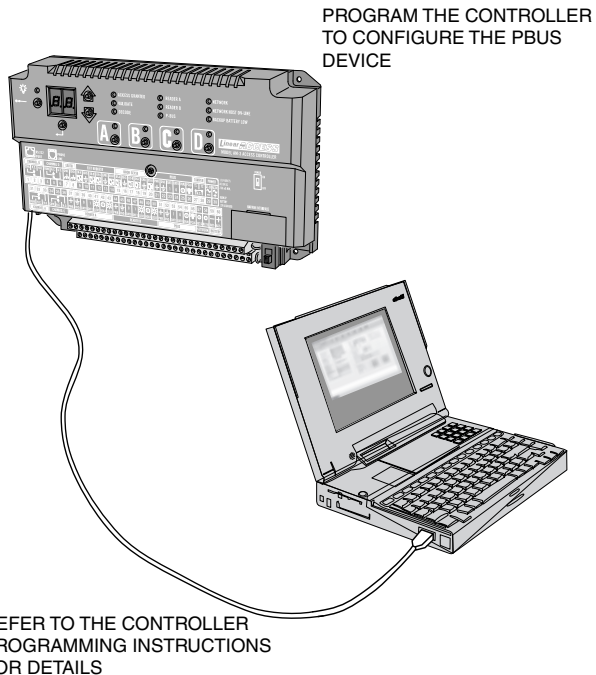
6. SET DEVICE ADDRESS



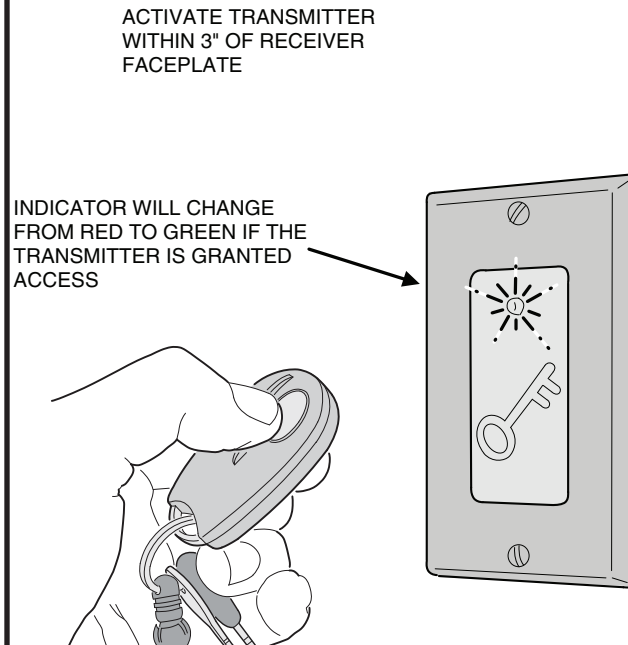
7. INSTALL RECEIVER AND FACEPLATE



8. PROGRAM SYSTEM



9. TEST SYSTEM



LINEAR LIMITED WARRANTY

This Linear product is warranted against defects in material and workmanship for twelve (12) months. **This warranty extends only to wholesale customers** who buy direct from Linear or through Linear's normal distribution channels. **Linear does not warrant this product to consumers.** Consumers should inquire from their selling dealer as to the nature of the dealer's warranty, if any. **There are no obligations or liabilities on the part of Linear LLC for consequential damages arising out of or in connection with use or performance of this product or other indirect damages with respect to loss of property, revenue, or profit, or cost of removal, installation, or reinstallation.** All implied warranties, including implied warranties for merchantability and implied warranties for fitness, are valid only until the warranty expires. **This Linear LLC Warranty is in lieu of all other warranties express or implied.**

All products returned for warranty service require a Return Product Authorization Number (RPA#). Contact Linear Technical Services at 1-800-421-1587 for an RPA# and other important details

IMPORTANT !!!

Linear radio controls provide a reliable communications link and fill an important need in portable wireless signalling. However, there are some limitations which must be observed.

- * For U.S. installations only: The radios are required to comply with FCC Rules and Regulations as Part 15 devices. As such, they have limited transmitter power and therefore limited range.
- * A receiver cannot respond to more than one transmitted signal at a time and may be blocked by radio signals that occur on or near their operating frequencies, regardless of code settings.
- * Changes or modifications to the device may void FCC compliance.
- * Infrequently used radio links should be tested regularly to protect against undetected interference or fault.
- * A general knowledge of radio and its vagaries should be gained prior to acting as a wholesale distributor or dealer, and these facts should be communicated to the ultimate users.